

JCASE® Cartridge Fuse Rated 58V

RoHS



Specifications

Voltage Rating: 58 VDC
Interrupting Rating: 1000A @ 58 VDC
Operating Temperature Range: -40°C to +125°C
Insertion Force:
Extraction Force:

Cartridge Fuses

JCASE fuse for 42V PowerNet applications. Same Time-Current characteristic as the 32V JCASE fuse. Fits to standard JCASE fuse sockets. A rejection feature prevents fuses with lower voltage rating from being wrongfully inserted into the circuit. Current rating 20A – 60A, 58 VDC max.

JCASE-Sicherung für 42V PowerNet-Anwendungen haben die gleiche Zeit-Strom-Charakteristik wie die 32V JCASE-Sicherung. Die Sicherung passt in Standard-JCASE-Sicherungshalter und hat eine Sperrfunktion, die eine versehentliche Verwendung von Sicherungen mit niedrigerer Nennspannung verhindert. Nennstrom 20A bis 60A, 58 VDC max.

Time-Current Characteristics / Schmelzeit-Grenzwerte

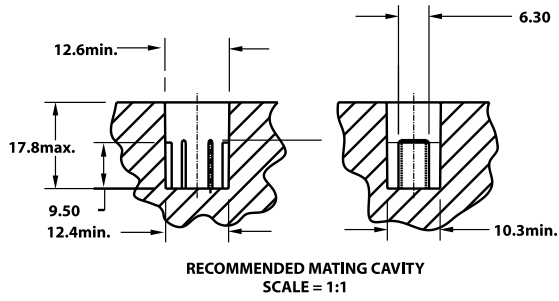
% of Rating % des Nennstromes	Opening Time Min / Max (s) Schmelzcharakteristik Min / Max (s)
110	100 h / –
135	60 s / 1800 s
200	4.0 s / 60.0 s
350	200 ms / 7.0 s
600	40 ms / 1.0 s

Part Number Artikel-Nr.	Current Rating Nennstrom	Housing Color Kennfarbe	Typ. Voltage Drop Typ. Spannungsfall	Cold Resistance Kaltwiderstand	I ² t
0995020_	20 A		106 mV	4.29 mΩ	1750 A²s
0995025_	25 A		101 mV	3.28 mΩ	3220 A²s
0995030_	30 A		91 mV	2.12 mΩ	1480 A²s
0995040_	40 A		87 mV	1.30 mΩ	3650 A²s
0995050_	50 A		88 mV	0.99 mΩ	8750 A²s
0995060_	60 A		87 mV	0.76 mΩ	19500 A²s

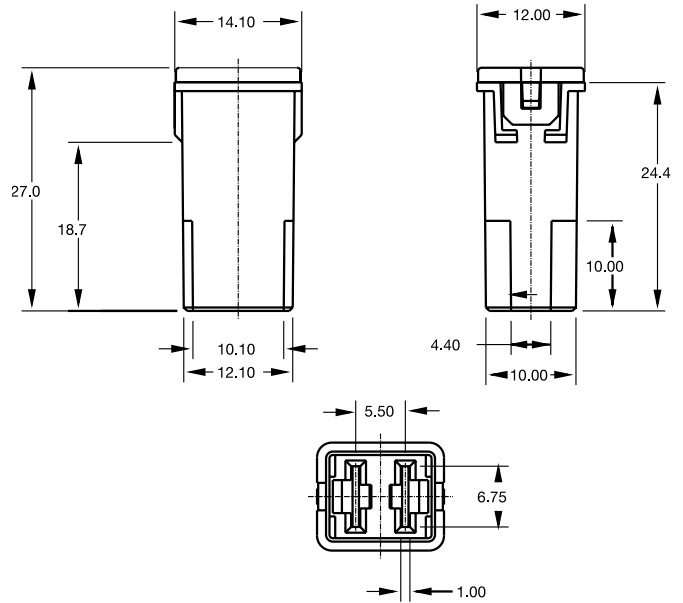
Last figure of part number = packaging code, see Section "Packaging Index," pg. 157.
Corresponding holder see Section "Fuse Holders."

JCASE[®] Cartridge Fuse Rated 58V

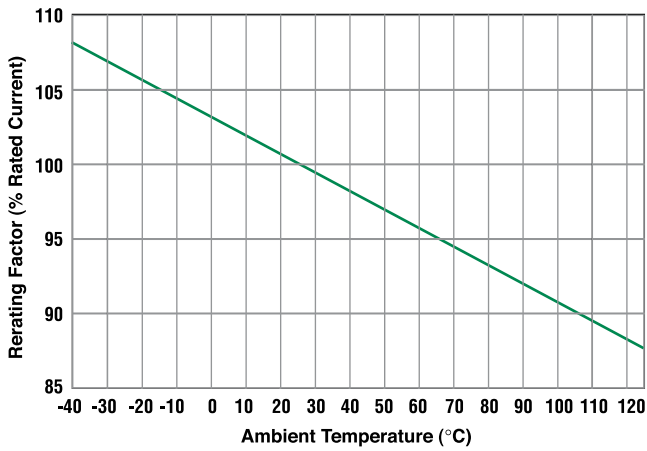
Recommended Mating Cavity



Dimensions in mm / Maße in mm



JCASE Fuse Series Temperature Derating Curve



Cartridge Fuses